

FORMAX®

HERE BEGINS YOUR ULTIMATE VALUE

FC Series
Sound Proof Crushers

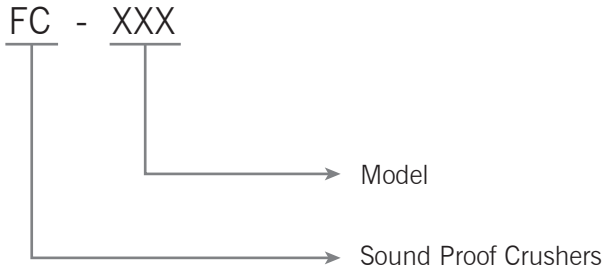
FC300



Please read the brochure carefully before operation.

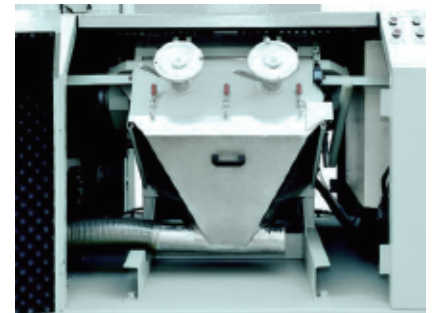
FC Series / Screenless Crusher

■ Coding Principle



■ Features

- Built-in soundproof cover
Guaranteed noise reduction during use, unique tool design and easy tool change
- Easy tool installation
- Tool adjustment using an adjustment frame, the entire process of changing the knives is done outside the crusher.
- Both fixed and rotary knives use high expansion strength steel, can re-sharpening multiple times
- Unique cutting method
Rotor tools use the latest "V" cutting technology, compared to traditional tools "V" continuous cutting and pushing materials into the center of the rotor and reduces wear on the tool and the crushing chamber.
- Mobile compact design
Built-in soundproof cover design makes the whole model very compact, can be moved, the entire machine can be lifted or moved with a forklift or other standard lifting equipment
- Efficient feeding method
Unique rotor design for continue feeding, the crushing chamber will not block.



"V" Shape of Rotor Chamber



FC Cutting Chamber

■ Application

Sound Proof Crusher suitable for crushing various plastic materials, including injection molding, blow molding or extrusion, integrated power design makes the cutting effect low and low noise

■ Options

- Optional voltage
- Optional recycling system (including 370W or 550W blower, Proportional three socket, slide tube, filter powder, separator, PVC transparent hose, etc., Reserved full material alarm device)

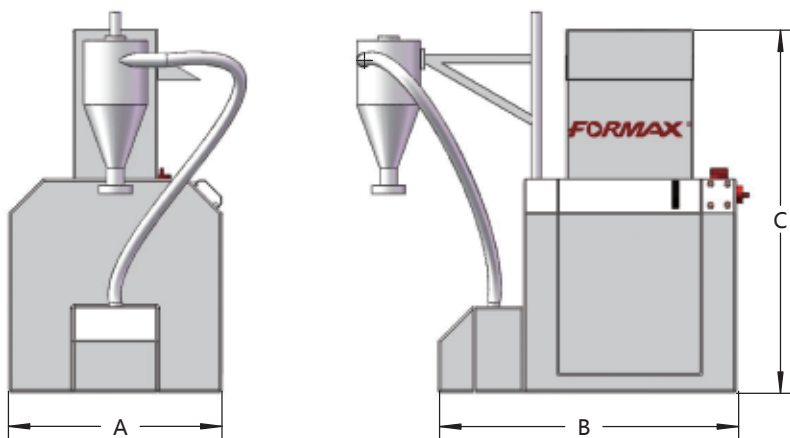


■ Working Principle

When the crusher is in production, the motor drives the spindle and the turbine to rotate at high speed, the turbine and screen formed the crushing force, and its compact structure. When the material enters the cavity from the hopper, the material entering the machine cavity is tightly rubbed and strongly impacted on the inner side of the blade of the turbine in the swirling airflow and grinding again in the gap between the blade and the grinding block, while the material is being broken and ground, the turbine sucks in a lot of air. These gases act to cool

the machine, grind the material and transport the fines. The fineness of material pulverization depends on the nature of the material and the size of the screen. And the throughput of materials and air. The bearing part of the crusher is equipped with a special labyrinth seal, which can effectively prevent dust from entering the bearing cavity, extending the service life of the bearing, two rubber sealing rings are installed in the door, no dust leakage and polluting the operating environment

■ Outline Drawings



■ Specifications

Model		FC3030	FC3060	FC3080
Rotor Diameter	mm×mm	Ø300	Ø300	Ø300
Rotor Working Width	mm×mm	300×300	300×600	300×800
Feeding Size	mm×mm	400×290	400×590	400×790
Drive Power	kw	7.5	15	22
Dimension				
Width A	mm	130	1700	1900
Length B		1500	1500	1500
Height C		1900	1500	2050

Specifications are subject to change without prior notice.

FORMAX®

China
Formax Plastics Automation, Inc.

Dongguan
 Xianxi New Industrial Zone, Xianxi Community,
 Changan Town, Dongguan, Guangdong, China
 Tel. +86-769-3899-9898 Fax. +86-769-8533-3467

Kushan
 No.138-20, Hengshan Road, Kunshan, Jiangsu, China
 Tel. +86-512-5700-8308 Fax. +86-512-5700-8306

Taiwan
Formax Equipment Inc.

7F-1, No.265, NanKang Road, Luchu Dist.,
 Taoyuan City, Taiwan
 Tel. +886-3-2121-725 Fax. +886-3-2127-960

www.formax88.com
www.formaxpa.com



All rights reserved.